



SLIM LINE®
FILTER HOUSINGS

SLIM LINE® FILTER HOUSINGS

- Slim design reduces space required for installation without sacrificing capacity
- Available in 5", 10", and 20" lengths
- FDA Grade
- Optional pressure relief button on inlet side of cap
- Leak-proof seal with top-seated o-ring
- Available with clear or opaque sumps

Slim Line® filter housings are available in either reinforced polypropylene or clear Styrene-Acrylonitrile (SAN) in 5", 10" and 20" lengths. The black or blue reinforced polypropylene housing caps are available with 1/4", 3/8" or 1/2" NPT connections. Four bosses are molded into every cap for mounting purposes.

They are equipped with a black, reinforced polypropylene cap and offer an optional pressure-relief button on the inlet side to relieve pressure inside the housing when changing filter cartridges.

Slim Line® filter housings are an excellent choice for low-flow applications and when space and

chemical compatibility are primary concerns.

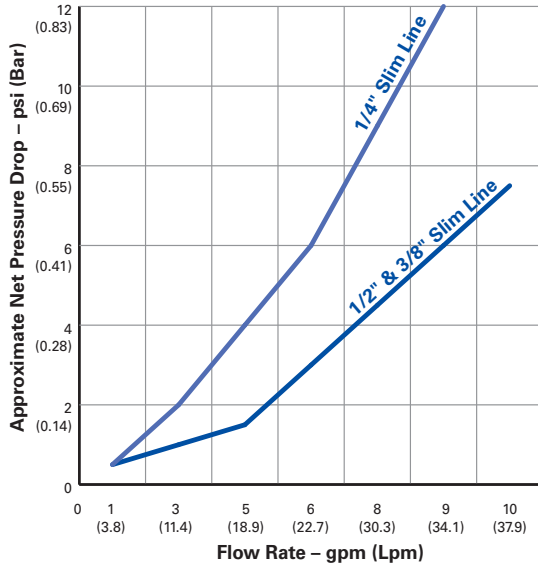
Opaque Slim Line® Filter Housings
Molded from rugged reinforced polypropylene, Opaque Slim Line® filter housings offer outstanding chemical compatibility and are ideal for use in a variety of low-flow applications. These applications include under-sink and countertop residential filtration, pre- and post-reverse osmosis filtration, recreational vehicle filtration, food service and humidifying systems.

Clear Slim Line® Filter Housings
offer on-site examination of flow, performance, and cartridge life. They are also ideal for a variety of applications.



Manufactured of clear Styrene-Acrylonitrile (SAN), the sumps are annealed to relieve stress, adding clarity and strength.

SLIM LINE® Filter Housings



The 158005, 158006, 158114, 158115, 158120, 158125, 158126, 158128, 158129, 158131, 158149, 158195, 158196, 158204, and 158205 are Tested and Certified by NSF International to NSF/ANSI Standard 42 for material and structural integrity requirements.

Housing Specifications and Performance Data

Model	Maximum Dimensions	Initial ΔP (psi) @ Flow Rate (gpm)
#5 Clear	7 ³ / ₈ " x 4 ³ / ₈ " (187 mm x 118 mm)	1/4" NPT-2 psi @ 3 gpm (0.14 bar @ 11 Lpm)
#10 Clear	12 ¹ / ₂ " x 4 ³ / ₈ " (308 mm x 118 mm)	3/8" NPT-2 psi @ 5 gpm (0.14 bar @ 19 Lpm)
#5 Opaque	7" x 4 ³ / ₈ " (178 mm x 111 mm)	1/4" NPT-2 psi @ 3 gpm (0.14 bar @ 11 Lpm)
#10 Opaque	11 ³ / ₄ " x 4 ³ / ₈ " (299 mm x 111 mm)	1/2" NPT-2 psi @ 5 gpm (0.14 bar @ 19 Lpm)
#20 Opaque	21 ⁷ / ₈ " x 4 ³ / ₈ " (556 mm x 111 mm)	1/2" NPT-2 psi @ 5 gpm (0.14 bar @ 19 Lpm)

Materials of Construction

Housing	SAN (Clear) or Polypropylene (Opaque)
Cap	Reinforced Polypropylene
Button Assembly	300-series Stainless Steel, EPDM, and Polypropylene
O-Ring	Buna-N
Maximum Temperature	125°F (51.7°C)
Maximum Pressure	125 psi (8.62 bar)

CAUTION: Protect against freezing to prevent cracking of the filter and water leakage.





3G SLIM LINE® FILTER HOUSINGS

- 10-inch housings available with clear or opaque sump
- Buttress threads for additional strength and easier cartridge changes
- John Guest and NPT threaded connections offered in 1/4-inch, 3/8-inch, and 1/2-inch
- Cap styles include mounting boss, integral bracket, meter mount and optional pressure relief bleed valve
- Housing accepts our proprietary Seal-Safe™ double o-ring sealing cartridges as well as DOE (double open end) cartridges
- Leak-proof sealing with a top-seated floating Buna-N o-ring

Slim Line® housings are the perfect choice for low-flow filtration applications. Their slim design and high chemical compatibility make them ideal for those challenging applications.

Caps are manufactured from reinforced polypropylene in black, blue, and white. Standard NPT threaded and John Guest connections are available with 1/4-inch, 3/8-inch and 1/2-inch connections. Three different style caps add to the flexibility of these housings.

The mounting boss cap features bosses molded in to the cap. This allows the housing to be mounted to a single bracket or a multiple housing bracket.

The integral bracket cap does not require a separate bracket as the

bracket is part of the cap. This feature saves valuable time during installation.

Take the guesswork out of when to change your cartridge by using the meter mount cap. These gauges indicate when the cartridge is dirty and allow you to get the most out of your cartridges.

Pressure relief buttons are another option with the Slim Line® 3G housings. Placed on the inlet side, the pressure-relief button helps reduce the pressure in the housing when changing the cartridge.

Housings are available with either clear or opaque sumps. The clear housings are manufactured of Styrene-Acrylonitrile (SAN) and are stress relieved through a special process for added strength and clarity. Clear

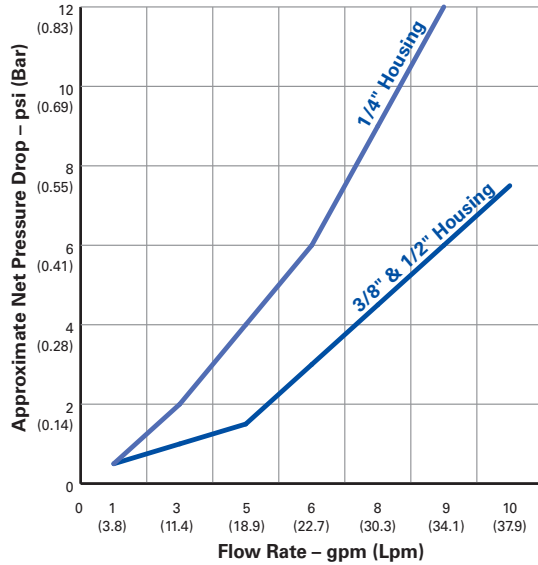
housings offer on-site examination of the flow, cartridge life and performance.

Opaque housings are molded from reinforced polypropylene and offer outstanding chemical compatibility.

Typical applications for the 3G Slim Line® housings include, but are not limited to, undersink residential filtration, pre- and post reverse osmosis systems, recreational vehicle filtration, and food service.

* U.S. Patent No. D 455,194 S and D 456,486 S

3G Slim Line® Filter Housings



* Shown with differential gauge. Gauges are not performance tested or certified by NSF.
** Gauges sold separately.



Filter Housings Tested and Certified by NSF International to NSF/ANSI Standard 42 for material and structural integrity requirements.

Housing Specifications and Performance Data

Model	Maximum Dimensions	Initial ΔP (psi) @ Flow Rate (gpm)	Maximum Temperature	Maximum Pressure
1/4-inch #10 3G Slim Line w/MB	11¼" x 4¾" (298 mm x 121 mm)	2 psi @ 3 gpm (0.14 bar @ 11 L/min)	125°F (51.7°C)	125 psi (8.62 bar)
1/4-inch #10 3G Slim Line w/IB	13⅜" x 5⅝" (340 mm x 137 mm)	2 psi @ 3 gpm (0.14 bar @ 11 L/min)	125°F (51.7°C)	125 psi (8.62 bar)
3/8-inch #10 3G Slim Line w/MB	11¼" x 4¾" (298 mm x 121 mm)	2 psi @ 5 gpm (0.14 bar @ 19 L/min)	125°F (51.7°C)	125 psi (8.62 bar)
3/8-inch #10 3G Slim Line w/IB	13⅜" x 5⅝" (340 mm x 137 mm)	2 psi @ 5 gpm (0.14 bar @ 19 L/min)	125°F (51.7°C)	125 psi (8.62 bar)
1/2-inch #10 3G Slim Line w/MB	11¼" x 4¾" (298 mm x 121 mm)	2 psi @ 5 gpm (0.14 bar @ 19 L/min)	125°F (51.7°C)	125 psi (8.62 bar)
1/2-inch #10 3G Slim Line w/IB	13⅜" x 5⅝" (340 mm x 137 mm)	2 psi @ 5 gpm (0.14 bar @ 19 L/min)	125°F (51.7°C)	125 psi (8.62 bar)
1/2-inch #10 3G Slim Line w/IB & MM	13⅜" x 5⅝"* (340 mm x 137 mm)	2 psi @ 5 gpm (0.14 bar @ 19 L/min)	125°F (51.7°C)	125 psi (8.62 bar)

MB = Mounting Bosses for MC-1A Bracket, 1B = Integral Bracket, MM = Meter Mount

*Height does not include meter. Add 1¼-inch for 143549 gauge and 1/2-inch for 143550 gauge.

Materials of Construction

Housing	Polypropylene (Opaque) or Styrene Acrylonitrile (Clear)
Cap	Reinforced Polypropylene
Button Assembly	300-series Stainless Steel, EPDM, and Polypropylene
O-Ring	Buna-N

CAUTION: Protect against freezing to prevent cracking of the filter and water leakage.



502 Indiana Avenue • P.O. Box 1047 • Sheboygan, Wisconsin 53082-1047
Customer Service: 800.645.0267 • Fax: 888.203.7361 • supportspecialist@pentekfiltration.com
International: 920.457.9435 • Fax: 920.457.2417 • international@pentekfiltration.com
www.pentekfiltration.com



©2006 Pentair Filtration, Inc.

Printed in USA JE06 310120



STANDARD FILTER HOUSINGS

- Ideal for a wide range of applications, including residential, commercial and industrial
- Available in 10" and 20" lengths
- Optional pressure-relief/bleed button on inlet side of cap
- Thick walls for increased strength
- Leak-proof sealing with top-seated Buna-N O-ring
- Available with clear or opaque sumps

Standard filter housings are manufactured of a durable polypropylene or clear FDA-compliant Styrene-Acrylonitrile (SAN). All are equipped with 3/4" NPT inlet and outlet ports. Standard filter housings are available in both 10" and 20" lengths and will accommodate a wide range of 2 1/2" to 2 7/8" diameter cartridges. The reinforced polypropylene cap and offers an optional pressure-relief button on the inlet side to relieve pressure inside the housing when changing filter cartridges.

Reinforced polypropylene housings have excellent chemical resistance and are ideal for many residential, commercial and industrial

applications. Clear sumps offer on-site examination of the cartridge.

Opaque Standard Filter Housings are molded from rugged reinforced polypropylene. They offer outstanding chemical compatibility and are ideal for use in a variety of low-flow applications. These applications include under-sink and countertop residential filtration, pre- and post-reverse osmosis filtration, recreational vehicle filtration, food service and humidifying systems.

Clear Standard Filter Housings offer on-site examination of flow, performance, and cartridge life. They are also ideal for a variety of applications.

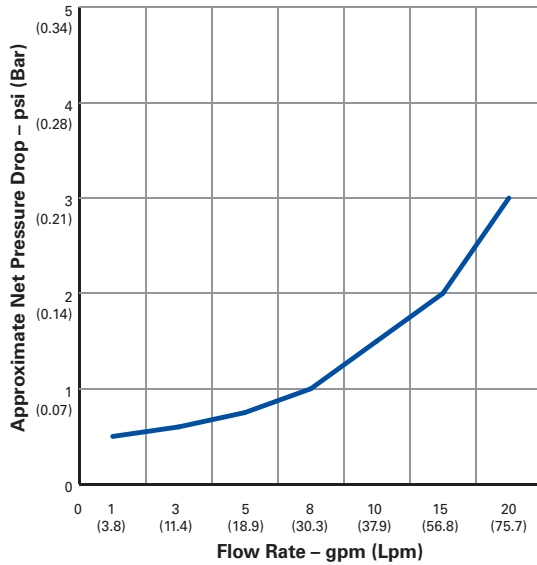
#10
Opaque
MB

#20
Opaque
MB

#10
Clear
MB

Manufactured of clear, Styrene-Acrylonitrile (SAN), the sumps are annealed to relieve stress, adding clarity and strength.

STANDARD Filter Housings



The 150001, 150002, 150067, 150068, 150071, 150072, 150435 and 150436 are Tested and Certified by NSF International to NSF/ANSI Standard 42 for material and structural integrity requirements.

Housing Specifications and Performance Data

Model	Maximum Dimensions	Initial ΔP (psi) @ Flow Rate (gpm)
#10 Opaque	12¼" x 5½" (311 mm x 130 mm)	1 psi @ 10 gpm (0.1 bar @ 38 Lpm)
#10 Clear	12½" x 5¼" (321 mm x 133 mm)	1 psi @ 10 gpm (0.1 bar @ 38 Lpm)
#20 Opaque	22¾" x 5½" (568 mm x 130 mm)	1 psi @ 10 gpm (0.1 bar @ 38 Lpm)

Materials of Construction

Housing	Polypropylene (Opaque) or Styrene Acrylonitrile (Clear)
Cap	Reinforced Polypropylene
Button Assembly	300-series Stainless Steel, EPDM, and Polypropylene
O-Ring	Buna-N
Maximum Temperature	125°F (51.7°C)
Maximum Pressure	125 psi (8.62 bar)

CAUTION: Protect against freezing to prevent cracking of the filter and water leakage.





#10 Clear
VIH

#20 Opaque
VIH

#10 Opaque
VIH

VALVE-IN-HEAD FILTER HOUSINGS

- Ideal for a wide range of applications, including residential, commercial and industrial
- Available in 10" and 20" lengths
- Pressure-relief/bleed button on inlet side of cap
- Thick walls for increased strength
- Leak-proof sealing with top-seated Buna-N o-ring
- Available with clear or opaque sumps

Valve-in-head (VIH) filter housings incorporate the same rugged design and application features as our Standard 3/4" NPT housings.

The internal valve-in-head allows both inlet and outlet ports to be simultaneously shut-off with a half turn of the handle. This eliminates the need for external shut-off valves. Radial sealing o-rings and sealing surfaces are continuously cleaned each time the valve is used, ensuring leak-proof operation.

Valve-in-head filter housings are available in both 10" and 20" lengths, and will accommodate a wide range of 2³/₈" to 2⁷/₈" diameter cartridges. The polypropylene caps feature pressure-relief button on the

inlet side to relieve pressure inside the housing when changing filter cartridges.

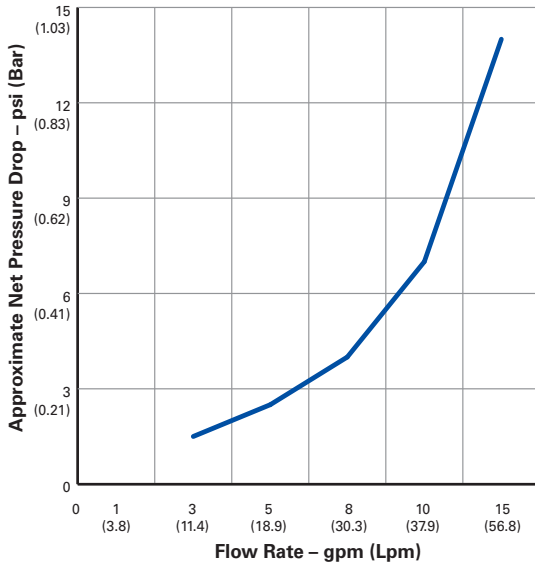
Opaque Valve-In-Head Filter Housings are molded from rugged reinforced polypropylene. Opaque Valve-In-Head filter housings offer outstanding chemical compatibility and are ideal for use in a variety of low-flow applications. These applications include under-sink and countertop residential filtration, pre- and post-reverse osmosis filtration, recreational vehicle filtration, food service and humidifying systems.

Clear Valve-In-Head Filter Housings offer on-site examination of flow, performance, and cartridge life.

They are also ideal for a variety of applications.

Manufactured of clear, FDA-compliant Styrene-Acrylonitrile (SAN), the sumps are annealed to relieve stress, adding clarity and strength.

VALVE-IN-HEAD Filter Housings



The 150164 and 150172 are Tested and Certified by NSF International to NSF/ANSI Standard 42 for material and structural integrity requirements.

Housing Specifications and Performance Data

Model	Maximum Dimensions	Initial ΔP (psi) @ Flow Rate (gpm)
#10 VIH	12½" x 5¼" (318 mm x 130 mm)	4 psi @ 8 gpm (0.3 bar @ 30 Lpm)
#10 VIH Clear	12⅞" x 5¼" (327 mm x 133 mm)	4 psi @ 8 gpm (0.3 bar @ 30 Lpm)
#20 VIH	22⅞" x 5⅝" (575 mm x 130 mm)	4 psi @ 8 gpm (0.3 bar @ 30 Lpm)

Materials of Construction

Housing	Polypropylene (Opaque) or Styrene Acrylonitrile (Clear)
Cap	Reinforced Polypropylene
Button Assembly	300-series Stainless Steel, EPDM, and Polypropylene
Valve Parts	Delrin
O-Ring	Buna-N
Maximum Temperature	125°F (51.7°C)
Maximum Pressure	125 psi (8.62 bar)

CAUTION: Protect against freezing to prevent cracking of the filter and water leakage.





3G STANDARD
FILTER HOUSINGS

3G STANDARD FILTER HOUSINGS

- Integral bracket and mounting boss cap versions available
- Available in 10" and 20" sumps in clear and opaque
- Buttress threads and uniform walls for easier cartridge change and improved strength
- Accepts proprietary Seal-Safe™ double o-ring sealing cartridges as well as standard DOE cartridges
- Optional pressure-relief/bleed button and differential pressure gauge
- Leak-proof sealing with top-seated floating Buna-N o-ring

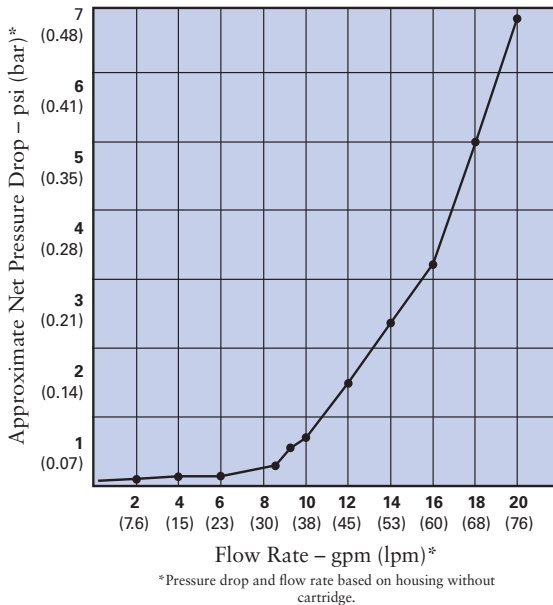
We took our time-tested industry standard and made it even better. We started from the ground up, utilizing our 35 years of experience, to create the unique and innovative 3G design. This patented* design features integral brackets, 20" clear housings, and caps for differential pressure gauges. The 3G housings accept standard double open end (DOE) and our Seal-Safe™ o-ring sealing cartridges. The Seal-Safe™ o-ring design offers enhanced cartridge sealing for critical cartridge applications.

3G Standard Filter Housings are manufactured from durable polypropylene or clear Styrene-Acrylonitrile (SAN). Reinforced polypropylene housings have excellent chemical resistance and are ideal for many residential, commercial and industrial applications. Clear sumps are manufactured from FDA compliant Styrene-Acrylonitrile (SAN). They offer on-site examination of the cartridge and have excellent chemical compatibility.

All are equipped with 3/4" NPT inlet and outlet ports. 3G Standard Filter Housings are available in 10" and 20" lengths and will accommodate a wide range of 2 1/4" to 3 1/8" diameter cartridges.

* U.S. Patent No. D 455,194 S and D 456,486 S

3G SERIES Standard Filter Housings



* Shown with differential gauge.
Gauges sold separately.

Housing Specifications and Performance Data

Model	Maximum Dimensions	Initial ΔP (psi) @ Flow Rate (gpm)
3G #10 Blue or Clear MB	12¾" x 5¾" (324 mm x 137 mm)	1 psi @ 10 gpm (0.07 bar @ 38 Lpm)
3G #10 Blue or Clear MB	13¼" x 5¾" (337 mm x 146 mm)	1 psi @ 10 gpm (0.07 bar @ 38 Lpm)
3G #20 Blue or Clear MB	23" x 5¾" (597 mm x 137 mm)	1 psi @ 10 gpm (0.07 bar @ 38 Lpm)
3G #20 Blue or Clear IB/MM*	23½" x 5¾" (597 mm x 146 mm)	1 psi @ 10 gpm (0.07 bar @ 38 Lpm)

Materials of Construction

Housing	Polypropylene (Opaque) or Styrene Acrylonitrile (Clear)
Cap	Reinforced Polypropylene
Button Assembly	300-series Stainless Steel, EPDM, and Polypropylene
O-Ring	Buna-N
Maximum Temperature	125°F (51.7°C)
Maximum Pressure	125 psi (8.62 bar)

CAUTION: Protect against freezing to prevent cracking of the filter and water leakage.





**BIG BLUE® & BIG CLEAR
FILTER HOUSINGS**

BIG BLUE® & BIG CLEAR FILTER HOUSINGS

- Large capacity housing suitable for high flow applications
- 10" and 20" lengths available in opaque and clear
- Pressure relief/bleed on inlet side of cap
- Accepts 4½" diameter cartridges

Big Blue® Filter Housings offer the versatility to meet all of your large-capacity filtration needs, including high-flow and heavy-sediment applications. The extra large housing allows for greater cartridge capacity, reducing the number of vessels required for high flow-rate applications. Sumps are constructed of durable reinforced polypropylene and are available in both 10" and 20" lengths.

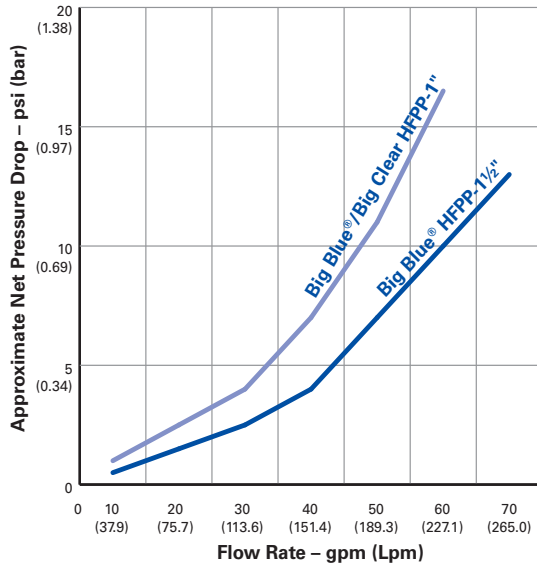
The high-flow polypropylene (HFPP) cap is available with ¾", 1" or 1½" NPT inlet and outlet ports. The ¼" internal port allows a greater volume of liquid to pass through the HFPP cap more rapidly.

Big Blue® housings are compatible with a broad range of chemicals and are available with or without a pressure relief button. They accept a wide variety of 4½" diameter cartridges.

Big Clear Filter Housings offer on-site examination of flow, performance, and cartridge life and are ideal for a variety of applications. The blue polypropylene caps are available with an optional pressure-relief button on the inlet side to relieve pressure inside the housing when changing filter cartridges.



BIG BLUE®/BIG CLEAR Filter Housings



The 150233, 150234, 150235, 150236, 150237, 150238, 150239, 150240, 150467, 150468, 150469, and 150470 Tested and Certified by NSF International to NSF/ANSI Standard 42 for material and structural integrity requirements.

NOTE: The Big Clear Series of housings are not NSF component listed.

Housing Specifications and Performance Data

Model	Maximum Dimensions	Initial ΔP (psi) @ Flow Rate (gpm)
#10 Big Blue®-3/4"	13 1/8" x 7 1/4" (333 mm x 184 mm)	2 psi @ 15 gpm (0.1 bar @ 57 Lpm)
#10 Big Blue®-1"	13 1/8" x 7 1/4" (333 mm x 184 mm)	1 psi @ 15 gpm (0.1 bar @ 57 Lpm)
#10 Big Blue®-1 1/2"	13 3/8" x 7 1/4" (346 mm x 184 mm)	1 psi @ 20 gpm (0.1 bar @ 76 Lpm)
#20 Big Blue®-3/4"	23 3/8" x 7 1/4" (594 mm x 184 mm)	2 psi @ 15 gpm (0.1 bar @ 57 Lpm)
#20 Big Blue®-1"	23 3/8" x 7 1/4" (594 mm x 184 mm)	1 psi @ 15 gpm (0.1 bar @ 57 Lpm)
#20 Big Blue®-1 1/2"	23 7/8" x 7 1/4" (606 mm x 184 mm)	1 psi @ 20 gpm (0.1 bar @ 76 Lpm)
#10 Big Clear-1"*	13 1/2" x 7 1/8" (343 mm x 181 mm)	1 psi @ 15 gpm (0.1 bar @ 57 Lpm)
#20 Big Clear-1"*	23 3/4" x 7 1/8" (603 mm x 181 mm)	1 psi @ 15 gpm (0.1 bar @ 57 Lpm)

* Not Performance Tested or Certified by NSF.

Materials of Construction

	BIG BLUE®	BIG CLEAR
Housing	Polypropylene	Lexan (#10), Polycarbonate (#20)
Cap	Polypropylene (HFPP)	Polypropylene (HFPP)
Button Assembly	300-series Stainless Steel, EPDM, and Polypropylene	300-series Stainless Steel, EPDM, and Polypropylene
O-Ring	Buna-N	Buna-N
Maximum Temperature	100°F (37.8°C)	100°F (37.8°C)
Maximum Pressure	#10 Big Blue® – 100 psi (6.9 bar) #20 Big Blue® – 90 psi (6.2 bar)	#10 Big Clear – 100 psi (6.9 bar) #20 Big Clear – 90 psi (6.2 bar)

CAUTION: Protect against freezing to prevent cracking of the filter and water leakage.





HIGH TEMPERATURE
FILTER HOUSINGS

HIGH TEMPERATURE FILTER HOUSINGS

- Ideal for a wide range of industrial applications
- Available in 10" and 20" lengths
- Excellent alternative to stainless and carbon housings
- Durable glass-reinforced nylon construction

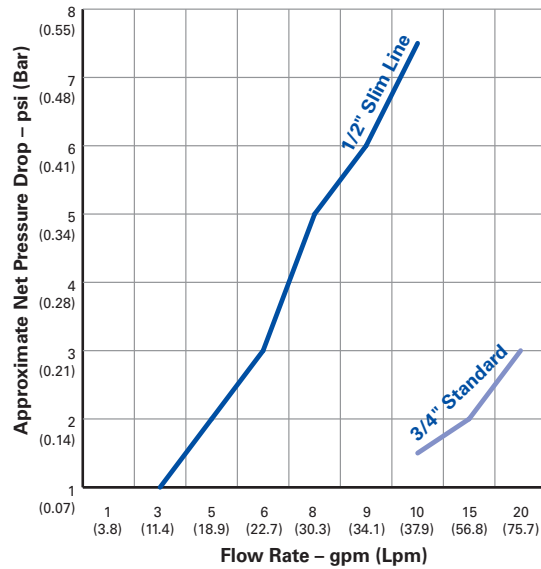
Constructed of glass-reinforced nylon, High Temperature filter housings are an economical alternative to stainless and carbon steel housings.

These 1/2" NPT housings can withstand temperatures up to a maximum of 160°F (71.1°C) while 3/4" housings can withstand temperatures up to 165°F (73.9°C). Excellent chemical compatibility makes High Temperature housings an ideal choice for a wide variety of industrial applications including those involving organic solvents, sea water, alcohol, petroleum and vegetable oils. They should not be used with ketones.

A #241 o-ring provides dependable sealing. Both 10" and 20" lengths are available to accommodate flow rates up to 20 gpm (76 Lpm).



HIGH TEMPERATURE Filter Housings



Housing Specifications and Performance Data

Model	Maximum Dimensions	Initial ΔP (psi) @ Flow Rate (gpm)
#10 Standard 3/4"	12 ¹ / ₈ " x 5 ¹ / ₈ " (308 mm x 130 mm)	<1 psi @ 8 gpm (<0.1 bar @ 30 Lpm)
#20 Standard 3/4"	22 ¹ / ₄ " x 5 ¹ / ₈ " (565 mm x 130 mm)	<1 psi @ 8 gpm (<0.1 bar @ 30 Lpm)
#10 Slim Line 1/2"	11 ³ / ₄ " x 4 ³ / ₈ " (298 mm x 111 mm)	5 psi @ 8 gpm (<0.4 bar @ 30 Lpm)

Materials of Construction

Housing	Glass-Reinforced Nylon
Cap	Glass-Reinforced Nylon
O-Ring	Slim Line® Housings Viton® Standard Housings Silicone
Maximum Temperature	1/2" Housing 160°F (71.1°C) 3/4" Housing 165°F (73.9°C)
Maximum Pressure	125 psi (8.62 bar)

CAUTION: Protect against freezing to prevent cracking of the filter and water leakage.



RO MEMBRANE
HOUSING



12"
with 90°
Outlet

RO MEMBRANE HOUSING

- NSF listed component
- Manufactured from an FDA-approved polypropylene
- Accommodates most 12" membrane elements
- 90° angle outlet

The PENTEK® RO Membrane Housing is manufactured in the U.S.A. from a high-quality, FDA-approved polypropylene.

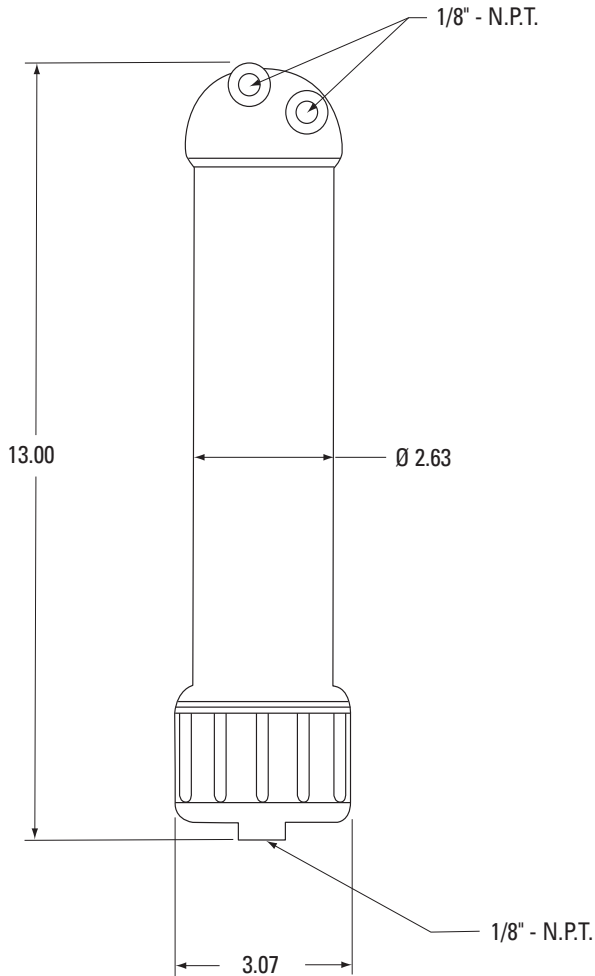
This component is NSF listed and will accommodate most standard 12" membrane elements.

Both the ribbed cap and the housing are one-piece injection molded parts, requiring no solvents or glues to be used in the manufacturing process. The ribbed cap incorporates acme square threads and two o-rings to ensure a leak-proof seal.

The RO Membrane Housings have a straight inlet and are equipped with (2) 90° outlets. The 90° outlets eliminate the need for additional elbows. All ports have standard 1/8" NPT threads.



RO MEMBRANE Housing



Materials of Construction

Housing	Reinforced Polypropylene
Finish	Reinforced Polypropylene
O-Ring	EPDM
Maximum Temperature	125°F (51.7°C)
Maximum Pressure	125 psi (8.62 bar)

CAUTION: Protect against freezing to prevent cracking of the filter and water leakage.



MPST-1.5

MPST-1.5 Multi-Purpose Stainless Steel Filter Housing

The PENTEK MPST-1.5 multi-purpose stainless steel filter housing is designed to accept either a 4½-inch x 20-inch double open end (DOE) cartridge or a PENTEK #420 bag filter. The housing comes standard as a cartridge filter housing, but the optional bag filter kit quickly converts it to a bag filter housing.

The MPST-1.5 housing is constructed of 304 stainless steel and powder-coated for a professional finish. This versatile housing is supplied with 1½-inch side inlet and bottom outlet ports, adjustable legs, drainage port and multiple gauge ports to easily adapt to any installation.

Applications include high temperature (250° F), high pressure (150 psi), and flow rates up to 50 gpm. Ideal for reduction of sediment and chlorine taste in whole house or small business applications, these housings can also be used in most water treatment, food processing and general filtration applications.

FEATURES

- Uses either 4½" x 20" DOE cartridges or #420 bag filters
- 1½" side inlet and 1½" bottom outlet
- Side drain plug for easy cleaning
- Gauge ports for either cartridge or filter bag applications
- Snap band clamp for quick change-outs
- Adjustable leg stand to ease installation

BENEFITS

- Quickly changes from a cartridge housing to a bag housing
- Uses any DOE 4½" x 20" cartridge or #420 bag filter
- Ideal for high temperature and high pressure applications
- Bottom outlet and adjustable leg stand allow for flexible application installations
- Multiple gauge ports allow the use of differential pressure gauges to take the guesswork out of when to change the cartridge or bag
- Snap band clamp minimizes down time for change-outs by allowing quick access to cartridge or bag filter

APPLICATIONS

- Sediment reduction using filter bags or cartridges
- Chlorine taste and odor reduction
- Whole house filtration
- Restaurants, cafeterias and food processing operations
- Schools, hotels and motels
- Laundries and laboratories

MPST-1.5 Multi-Purpose Stainless Steel Filter Housing



Cartridge and Bag Options

Model	Material	Micron Rating
Recommended Sediment Cartridges:		
DGD-2501-20	Polypropylene	25 to 1
DGD-5005-20	Polypropylene	50 to 5
DGD-7525-20	Polypropylene	75 to 25
ECP1-20BB	Cellulose Polyester	1
ECP5-20BB	Cellulose Polyester	5
ECP20-20BB	Cellulose Polyester	20
ECP50-20BB	Cellulose Polyester	50
S1-20BB	Cellulose	20

Recommended Carbon Cartridges:		
NCP-20BB	Pleated Carbon	10
RFC20-BB	Granular Carbon	25
EPM-20BB	Carbon Block	10
EP-20BB	Carbon Block	5
CBC20-BB	Carbon Block	0.5
CRFC-20BB	Chloramine Carbon Block	25

Recommended Specialty Cartridge:		
OAC-20BB	Oil Adsorbing	NR

Model	Material	Micron Rating
Recommended Filter Bags:		
BP-420-1	Polypropylene Felt	1
BP-420-5	Polypropylene Felt	5
BP-420-10	Polypropylene Felt	10
BP-420-25	Polypropylene Felt	25
BP-420-50	Polypropylene Felt	50
BP-420-100	Polypropylene Felt	100
BP-420-200	Polypropylene Felt	200
BPHE-420-1	Polypro High Efficiency	1
BPHE-420-5	Polypro High Efficiency	5
BPHE-420-25	Polypro High Efficiency	25
BPHE-420-50	Polypro High Efficiency	50
BPHE-420-100	Polypro High Efficiency	100
BN-420-50	Nylon Monofilament	50
BN-420-100	Nylon Monofilament	100
BN-420-200	Nylon Monofilament	200
BN-420-250	Nylon Monofilament	250
BN-420-400	Nylon Monofilament	400
BN-420-600	Nylon Monofilament	600
BN-420-800	Nylon Monofilament	800

Housing Specifications and Performance Data

Model	Maximum Flow Rate**	Dimensions Height x O.A. Dia*	Pipe Size (NPT)	Maximum Temperature	Maximum Pressure
MPST-1.5	50 gpm (189 L/min)	29" x 6 3/8" (737 mm x 162 mm)	1 1/2" (38.1 mm)	250 °F (121 °C)	150 psi (10.34 bar)

NOTE: Bag filter conversion kit (243111) sold separately.

*NOTE: Will not accept model GAC 20BB, BBF1-20BB, WS-20BB or CRFC-20BB cartridges.

*Height does not include stand.

** Flow rate listed for housing without cartridge. Check cartridge specifications for cartridge flow rates.

Materials of Construction

Housing	304 Stainless Steel
Finish	Epoxy
Sealing Gasket	Buna-N

NOTE: Maximum cartridge diameter 4 1/4-inches (12 mm)
WARNING: If pressure exceeds 150 psi (10.34 bar) at any time, a pressure regulator must be used. Do not use water that is microbiologically unsafe or of unknown quality without adequate disinfection before or after the system.
CAUTION: Protect against freezing to prevent cracking of the filter and water leakage.

NOTE: Not recommended for applications with TDS or chlorides >1000 ppm and/or pH <5.0. Use of this product in these conditions will void the limited warranty. Consult factory for product modifications for these conditions.

Customize Your Housing

Take the guesswork out of when to change the cartridge or bag by adding one of two different style gauges.



143549*

Needle differential pressure gauge

Needle points to international standard colors to determine when cartridge should be changed.
 Green (clean) 0-6 psid;
 Yellow (change) 6-9 psid;
 Red (dirty) 9-12 psid.



143550*

Color change differential pressure gauge

Green and red colors indicate when cartridge should be changed.
 Green (clean) 0-7 psid;
 Red (change) 7-10 psid.

* Gauges sold separately



ST SERIES
STAINLESS STEEL
FILTER HOUSINGS

ST SERIES STAINLESS STEEL FILTER HOUSINGS

- Heavy duty units for smaller filtration systems and point-of-use applications
- Brushed 304 stainless steel sump with a cast brass/nickel plated head
- Ideal for high-pressure/hot water applications
- Accepts complete range of standard double open end (DOE) cartridges

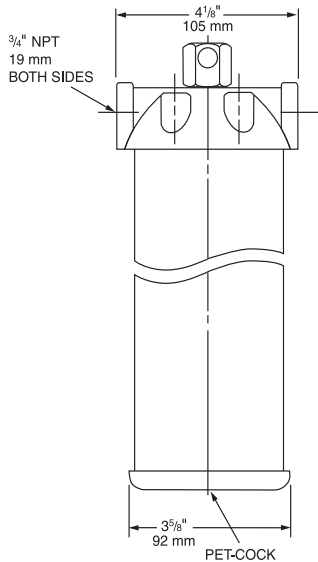


ST Series stainless steel filter housings effectively provide heavy-duty filtration for smaller filtration systems and point-of-use applications. Supplying flow rates of up to 20 gpm (76 Lpm), at a maximum water temperature of 300°F (149°C), ST Series housings are ideal for hot water and high-pressure applications not suited for plastic housings.

The brushed 304 stainless steel sumps are available with either a pipe plug or pet-cock in the bottom for draining. Heads are manufactured from nickel-plated cast-brass.

ST Series housings are easy to install and maintain. They are compatible with a complete range of filter cartridges, adding to their versatility.

ST SERIES Stainless Steel Filter Housings



Housing Specifications and Performance Data

Model	Maximum Dimensions	Flow Rate (gpm)	Maximum Pressure
ST-1	12 ⁷ / ₈ " x 4 ¹ / ₈ " (327 mm x 105 mm)	10 gpm (38 Lpm)	250 psi (17.2 bar)
ST-2	22 ³ / ₄ " x 4 ¹ / ₈ " (578 mm x 105 mm)	15 gpm (57 Lpm)	250 psi (17.2 bar)
ST-3	32 ³ / ₈ " x 4 ¹ / ₈ " (822 mm x 105 mm)	20 gpm (76 Lpm)	250 psi (17.2 bar)

- Maximum cartridge diameter 3" (76 mm).
- Will not accept GAC, CC, CGAC, TSGAC, WS, PCF or PCC Series Cartridges.

Materials of Construction

Housing	Brushed 304 Stainless Steel
Head	Brass/Nickel Plated
Maximum Temperature	300°F (149°C)
Pipe Size	3/4" NPT
Sealing Gaskets	Buna-N, Cellulose Fiber

WARNING: For drinking water applications, do not use with water that microbiologically unsafe or of unknown quality without adequate disinfection before or after the system.

CAUTION: Protect against freezing to prevent cracking of the filter and water leakage.

NOTE: Not recommended for applications with TDS or chlorides >1000 ppm and/or pH <5.0. Use of this product in these conditions will void the limited warranty. Consult factory for product modifications for these conditions.





ST-BC SERIES
STAINLESS STEEL
FILTER HOUSINGS

ST-BC SERIES STAINLESS STEEL FILTER HOUSINGS

- Heavy duty units for large scale commercial/industrial applications
- Brushed 304 stainless steel construction with a gray-silver epoxy finish
- Ideal for high-temperature applications
- Accepts complete range of standard double open end (DOE) cartridges

ST-BC Series stainless steel filter housings offer a variety of solutions for your large-scale, heavy-duty filtration needs. Simple to install and maintain, these housings are ideal for schools, restaurants, farms, institutions and industrial use.

Holding from 4 to 20 cartridges, ST-BC Series housings provide flow rates from 28 – 125 gpm (106-473 Lpm).

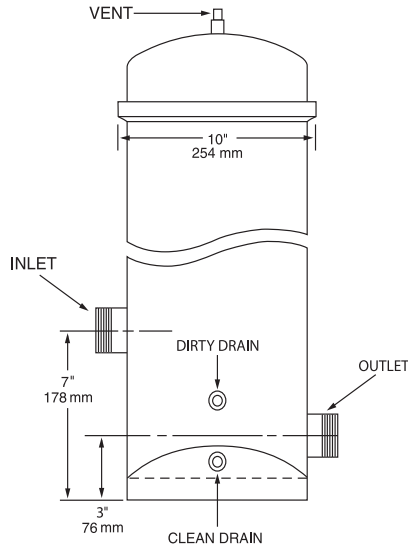
Housings are constructed of 304 stainless steel with a gray-silver epoxy finish. They include drains on both the “clean” and “dirty” sides of the sump.

ST-BC Series housings are compatible with a complete range of filter cartridges, adding to their versatility.



ST-BC SERIES

Stainless Steel Filter Housings



Housing Specifications and Performance Data

Model	Recommended* Flow Rates	Dimensions Height x O.A. Dia.	Max. No.** Cartridges	Max. Cart. Diameter	Max. Cartridge Length	Pipe Size (NPT)
ST-BC-4	28 gpm (106 Lpm)	19¼" x 10" (489 mm x 254 mm)	4 x 1	3" (76 mm)	9¾" or 10" (248 mm or 254 mm)	2" (50.8 mm)
ST-BC-8	56 gpm (212 Lpm)	29" x 10" (737 mm x 254 mm)	4 x 2	3" (76 mm)	9¾" or 10" (248 mm or 254 mm)	2" (50.8 mm)
ST-BC-12	84 gpm (318 Lpm)	39¾" x 10" (1010 mm x 254 mm)	4 x 3	3" (76 mm)	9¾" or 10" (248 mm or 254 mm)	2" (50.8 mm)
ST-BC-16	110 gpm (416 Lpm)	49¾" x 10" (1264 mm x 254 mm)	4 x 4	3" (76 mm)	9¾" or 10" (248 mm or 254 mm)	2" (50.8 mm)
ST-BC-20	125 gpm (473 Lpm)	49¾" x 10" (1264 mm x 254 mm)	5 x 4	2½" (64 mm)	9¾" or 10" (248 mm or 254 mm)	2" (50.8 mm)

• Will not accept GAC, CC, CGAC, TSGAC, WS, PCF or PCC Series Cartridges.

Materials of Construction

Housing	Brushed 304 Stainless Steel
Finish	Epoxy
Maximum Temperature	300°F (149°C)
Maximum Pressure	125 psi (8.62 bar)
Pipe Size	2" NPT
Sealing Gasket	Buna-N

* Based on sediment removal with a 25-micron filter cartridge and 1 PSIG initial clean pressure drop.

** Number of cartridges refers to the number of 9¾" (248 mm) or 10" (254 mm) cartridges which are configured around the housing times the number of cartridges that may be stacked. Example 4 x 2 means that 9¾" (248 mm) cartridges are configured four around and two high.

NOTE: Maximum cartridge diameter 3" (76 mm).

WARNING: If pressure exceeds 125 psi (8.62 bar) at any time, a pressure regulator must be used. Do not use water that is microbiologically unsafe or of unknown quality without adequate disinfection before or after the system.

CAUTION: Protect against freezing to prevent cracking of the filter and water leakage.

NOTE: Not recommended for applications with TDS or chlorides >1000 ppm and/or pH <5.0. Use of this product in these conditions will void the limited warranty. Consult factory for product modifications for these conditions.



PBH-410
(Shown with
bag vessel
stand)*



PBH-420

BAG VESSEL FILTER ASSEMBLIES

- Lightweight corrosion resistant polypropylene construction gives you strength without weight
- Choice of 10" or 20" housings
- Available in 1" and 1½" NPT sizes
- Come complete with gauge, wrench and 3/8" drain valve
- Light enough to be portable
- Economically priced

PENTEK's standard bag vessel assemblies keep your system on stream longer by reducing bag filter change time. They are made of lightweight corrosion resistant polypropylene to give you all the strength you need without the weight.

Install as a duplex system for totally uninterrupted flow rates.

All PBH Series vessels come complete with gauge, wrench and 3/8" drain valve. The single large Acme thread closure ensures quick opening and positive sealing.

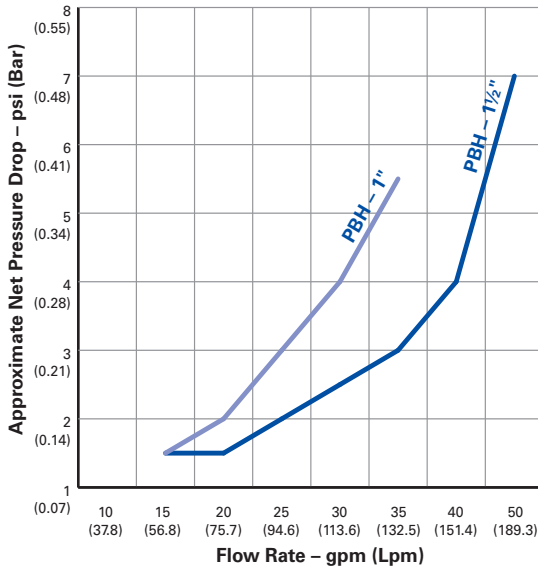
Filter bags are available in polypropylene felt, absolute-rated high-efficiency polypropylene and

nylon monofilament mesh—ideal for filtering and straining applications from 1 to 800 microns.

Molded from rugged reinforced polypropylene, Bag filter housings offer outstanding chemical compatibility and are ideal for use in a variety of low-flow applications. These applications include residential prefiltration, food service along with commercial and industrial applications for water filtration and chemical filtration. They are equipped with a black, reinforced polypropylene cap.

*Bag vessel stand sold separately.

BAG VESSEL Filter Assemblies



Housing Specifications and Performance Data

Model	Maximum Dimensions	Initial ΔP (psi) @ Flow Rate (gpm)	Maximum Pressure
PBH-410-1 (1" NPT)	13 3/8" x 7 1/4" (333 mm x 184 mm)	1 psi @ 15 gpm (0.07 bar @ 57 Lpm)	100 psi (6.9 bar)
PBH-410-1.5 (1 1/2" NPT)	13 3/8" x 7 1/4" (346 mm x 184 mm)	1 psi @ 15 gpm (0.07 bar @ 57 Lpm)	100 psi (6.9 bar)
PBH-420-1 (1" NPT)	23 3/8" x 7 1/4" (594 mm x 184 mm)	1 psi @ 15 gpm (0.07 bar @ 57 Lpm)	90 psi (6.2 bar)
PBH-420-1 (1 1/2" NPT)	23 3/8" x 7 1/4" (606 mm x 184 mm)	1 psi @ 15 gpm (0.07 bar @ 57 Lpm)	90 psi (6.2 bar)

- PBH-410 accepts a standard 4" x 8 1/4" (102 mm x 210 mm) bag. Dimensions allow for 1" (25 mm) overlap on basket.
- PBH-420 accepts a standard 4" x 18 1/2" (102 mm x 470 mm) bag. Dimensions allow for 1" (25 mm) overlap on basket.

Materials of Construction

Housing	Polypropylene
Cap	Polypropylene
Gauge	Bismuth Brass (lead-free)
Vent Plug	Polypropylene
Drain Plug	High Density Polypropylene
Ball Valve	PVC/Buna-N Seals
Basket	Polypropylene
O-Ring and Gaskets	Buna-N
Maximum Temperature	100°F (37.8°C)

NOTE: Many standard bags with rings may be used in these vessels. Refer to PENTEK's bag filter specifications sheet for 1 to 200 micron quick-install bags.